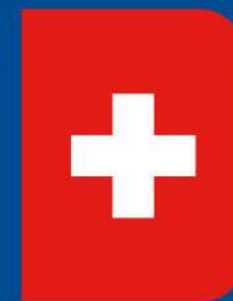




GEOMAG™



SCIENCE
TECHNOLOGY

ENGINEERING
MATHEMATICS

STEM

SCIENCE

TECHNOLOGY

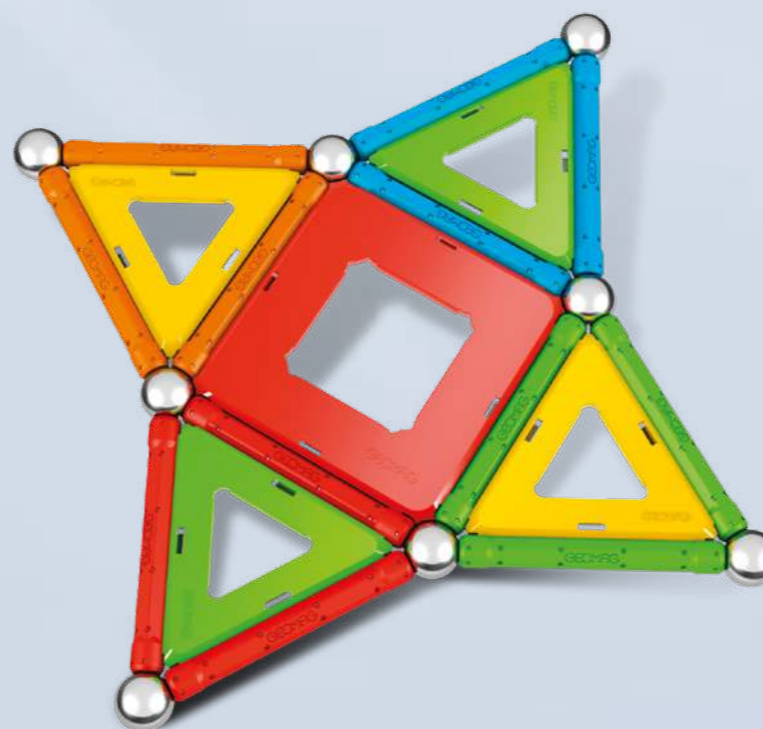


ENGINEERING

MATHEMATICS

GEOMAG CONFETTI

32 PZ



REFERENCIA

00350

DESCRIPCIÓN

GEOMAG CONFETTI
32 PZ

EAN

0871772003502

PACK

CAJA

STD

8

PILAS

NO

EDAD

+3

SCIENCE

TECHNOLOGY

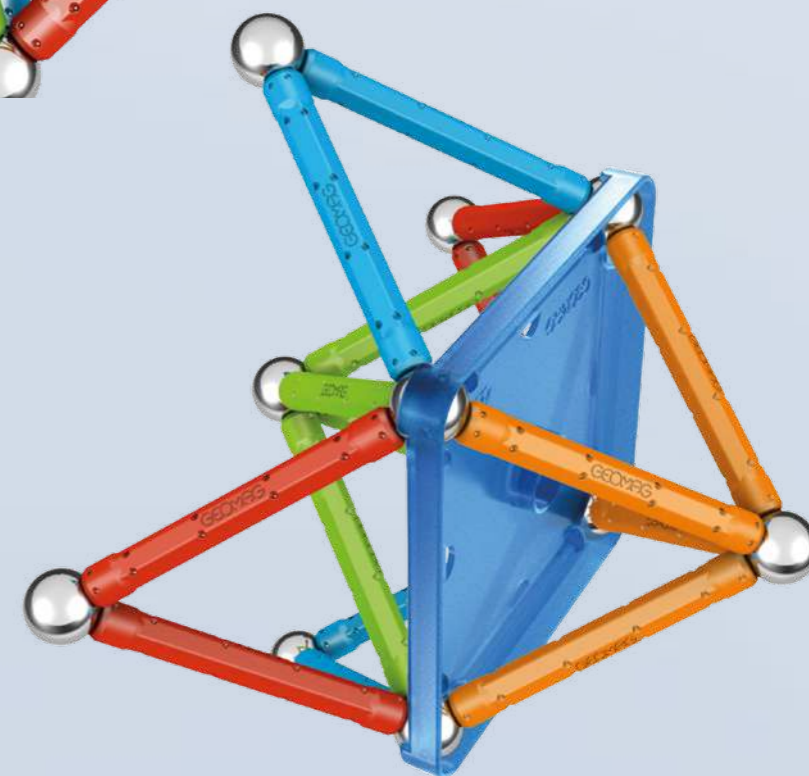


ENGINEERING

MATHEMATICS

GEOMAG CONFETTI

35 PZ



REFERENCIA

00351

DESCRIPCIÓN

GEOMAG CONFETTI
35 PZ

EAN

0871772003519

PACK

CAJA

STD

7

PILAS

NO

EDAD

+3

SCIENCE

TECHNOLOGY

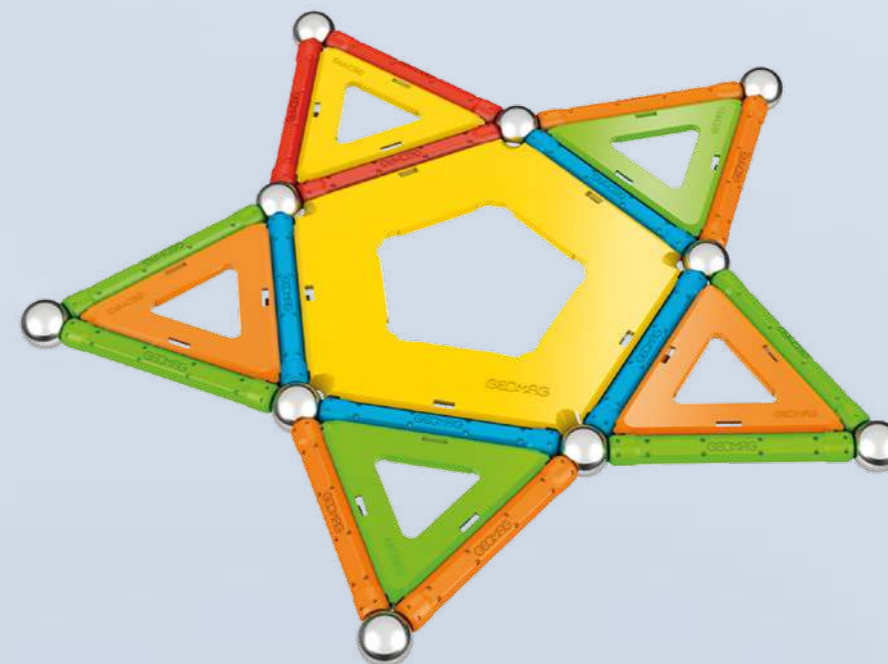
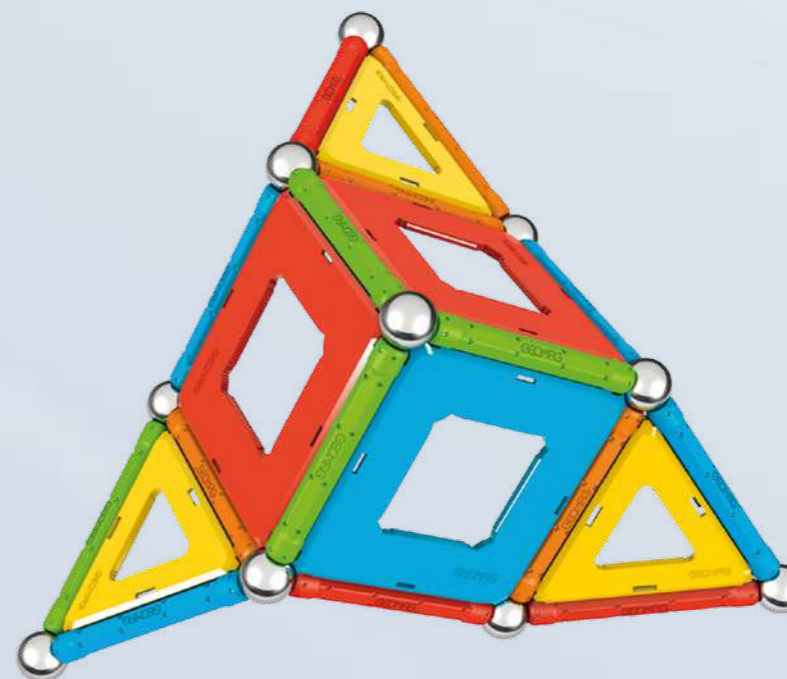


ENGINEERING

MATHEMATICS

GEOMAG CONFETTI

50 PZ



REFERENCIA

00352

DESCRIPCIÓN

GEOMAG CONFETTI
50 PZ

EAN

0871772003526

PACK

CAJA

STD

7

PILAS

NO

EDAD

+3

SCIENCE

TECHNOLOGY

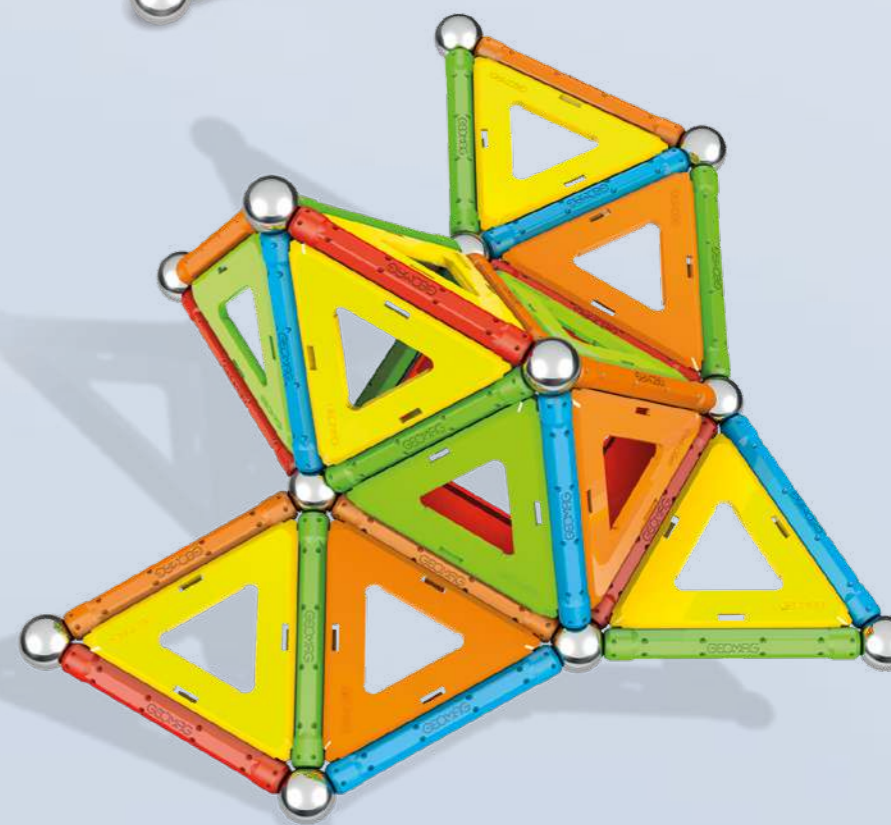
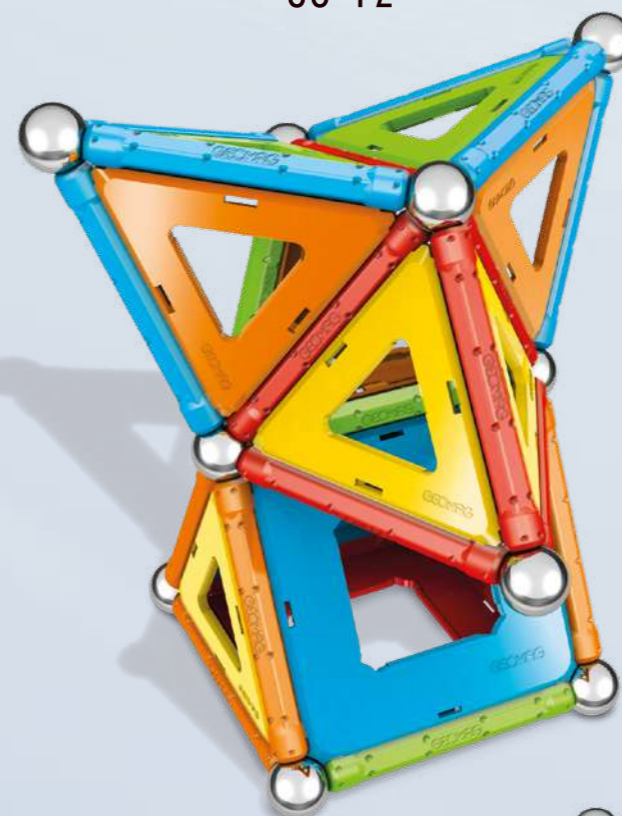


ENGINEERING

MATHEMATICS

GEOMAG CONFETTI

68 PZ



REFERENCIA

00355

DESCRIPCIÓN

GEOMAG CONFETTI
68 PZ

EAN

0871772003557

PACK

CAJA

STD

4

PILAS

NO

EDAD

+3

SCIENCE

TECHNOLOGY

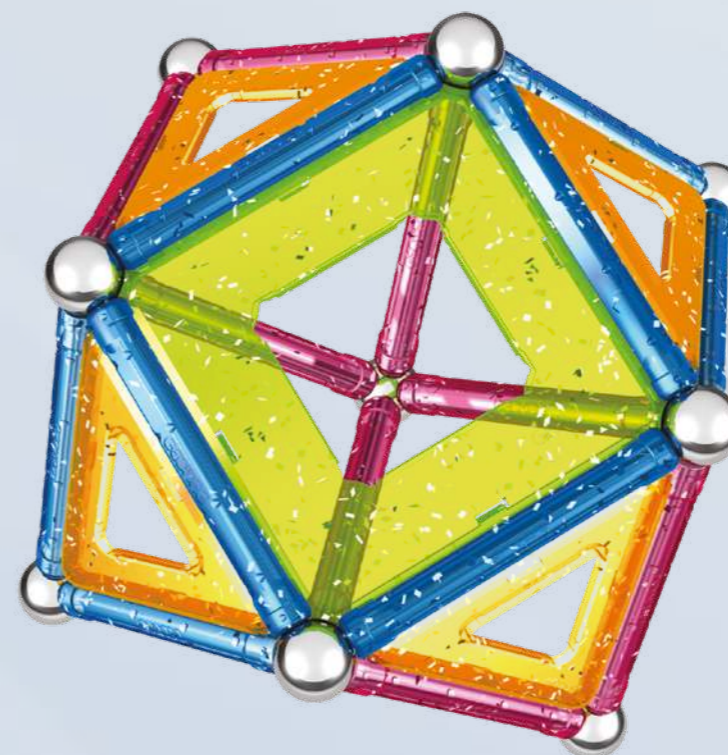


ENGINEERING

MATHEMATICS

GEOMAG GLITTER

44 PZ



REFERENCIA

00532

DESCRIPCIÓN

GEOMAG GLITTER
44 PZ

EAN

0871772005322

PACK

CAJA

STD

7

PILAS

NO

EDAD

+3

SCIENCE

TECHNOLOGY

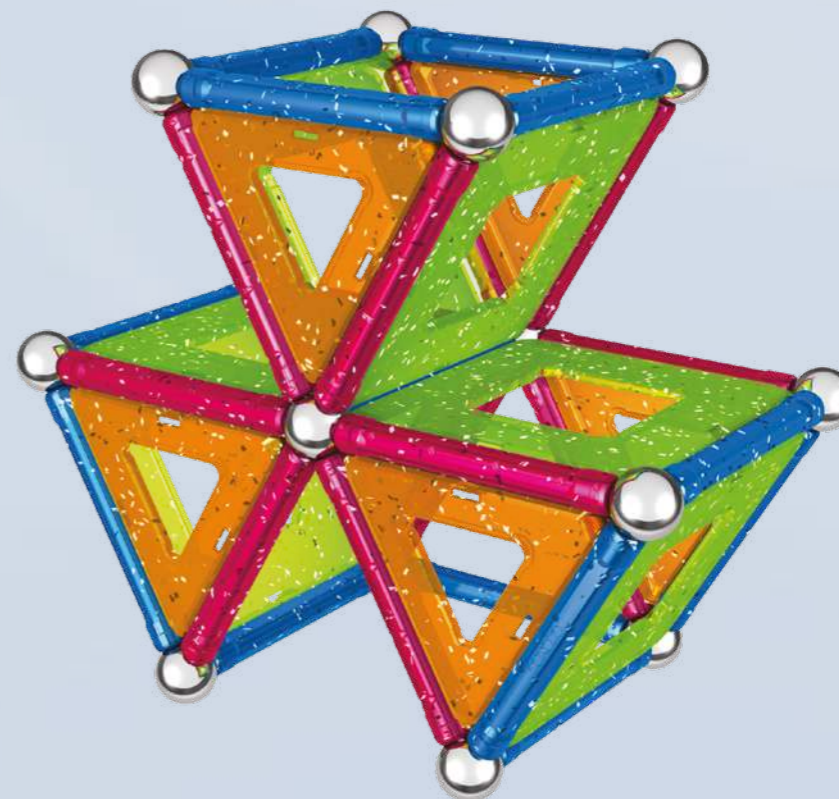


ENGINEERING

MATHEMATICS

GEOMAG GLITTER

68 PZ



REFERENCIA

00533

DESCRIPCIÓN

GEOMAG GLITTER
68 PZ

EAN

0871772005339

PACK

CAJA

STD

4

PILAS

NO

EDAD

+3

SCIENCE

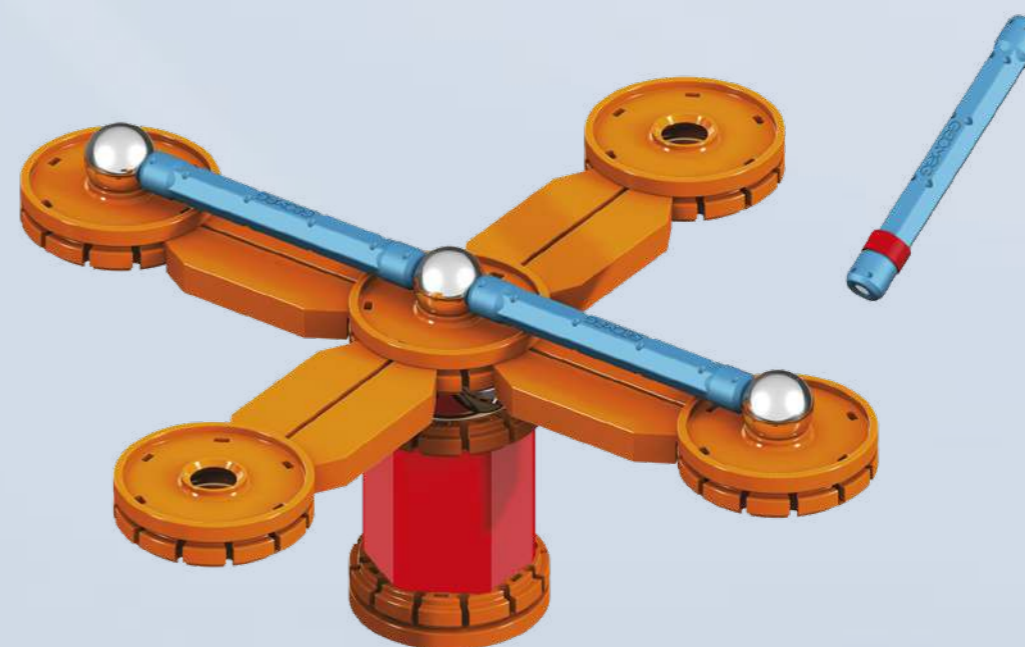
TECHNOLOGY



ENGINEERING

MATHEMATICS

GEOMAG MECHANICS
MAGNETIC MOTION 35 PZ



REFERENCIA

00770

DESCRIPCIÓN

GEOMAG MECHANICS
MAGNETIC MOTION 35 PZ

EAN

0871772007708

PACK

CAJA

STD

8

PILAS

NO

EDAD

+7

SCIENCE
TECHNOLOGY



ENGINEERING
MATHEMATICS

GEOMAG MECHANICS
146 PZ



REFERENCIA	DESCRIPCIÓN	EAN	PACK	STD	PILAS	EDAD
00722	GEOMAG MECHANICS 146 PZ	087177 2007227	CAJA	5	NO	+5

SCIENCE

TECHNOLOGY

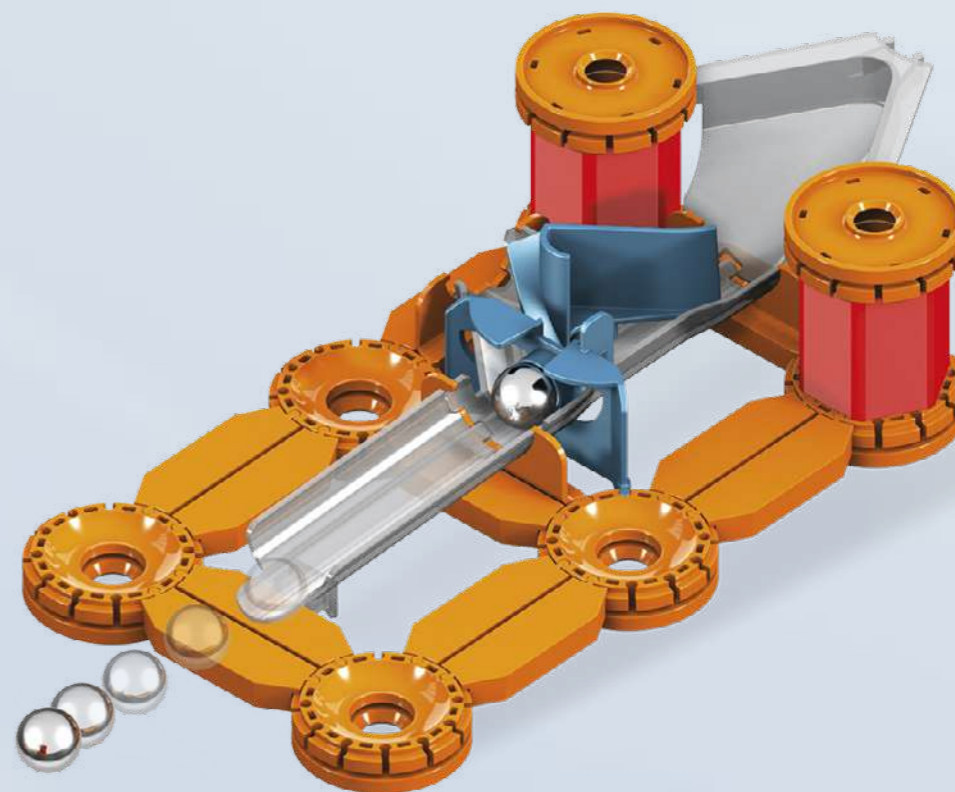


ENGINEERING

MATHEMATICS

MECHANICS CHALLENGE

95 PZ



REFERENCIA

00771

DESCRIPCIÓN

MECHANICS CHALLENGE
95 PZ

EAN

0871772007715

PACK

CAJA

STD

7

PILAS

NO

EDAD

+7

SCIENCE

TECHNOLOGY

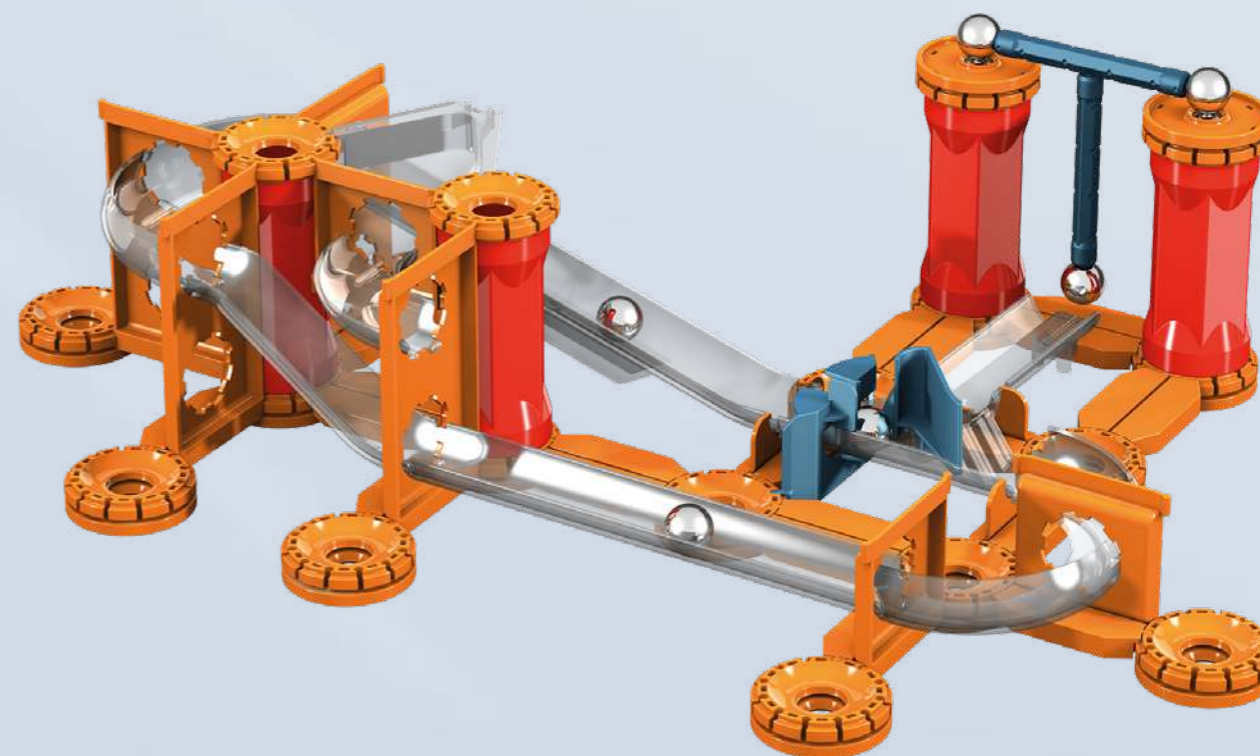


ENGINEERING

MATHEMATICS

GEOMAG MECHANICS GRAVITY

Race Track 115 PZ



REFERENCIA

00772

DESCRIPCIÓN

GEOMAG MECHANICS GRAVITY
Race Track 115 PZ

EAN

0871772007722

PACK

CAJA

STD

3

PILAS

NO

EDAD

+7

SCIENCE

TECHNOLOGY



ENGINEERING

MATHEMATICS

MECHANICS GRAVITY
Motor System - 169 pcs



REFERENCIA

00773

DESCRIPCIÓN

MECHANICS GRAVITY Motor
System - 169 pcs

EAN

0871772007739

PACK

CAJA

STD

3

PILAS

NO

EDAD

+7

SCIENCE

TECHNOLOGY



ENGINEERING

MATHEMATICS

GEOMAG LUNAR ROVER NASA



REFERENCIA

00809

DESCRIPCIÓN

GEOMAG LUNAR ROVER NASA

EAN

0871772008095

PACK

CAJA

STD

7

PILAS

NO

EDAD

+8