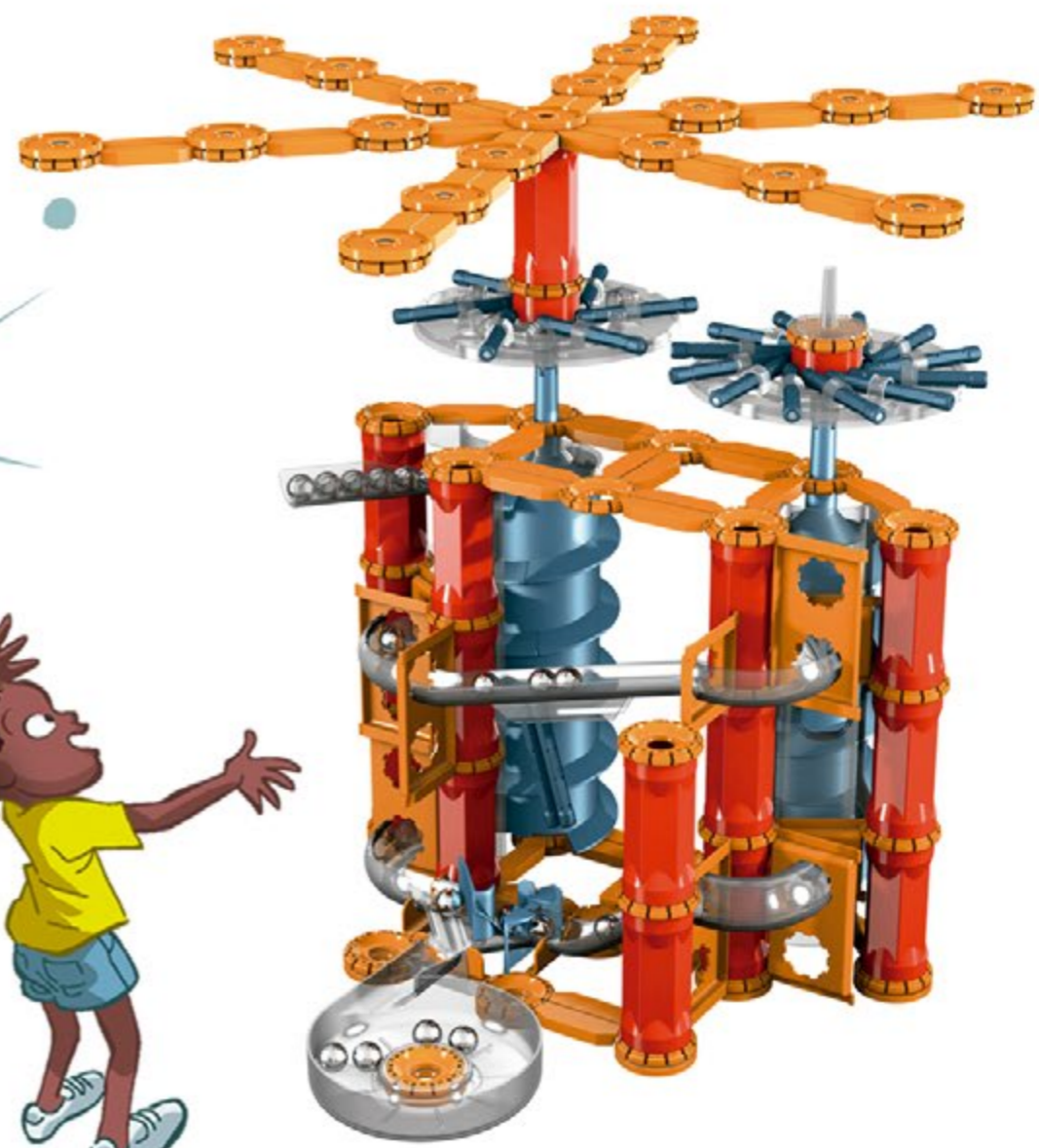


# MECHANICS



# GRAVITY



SCIENCE

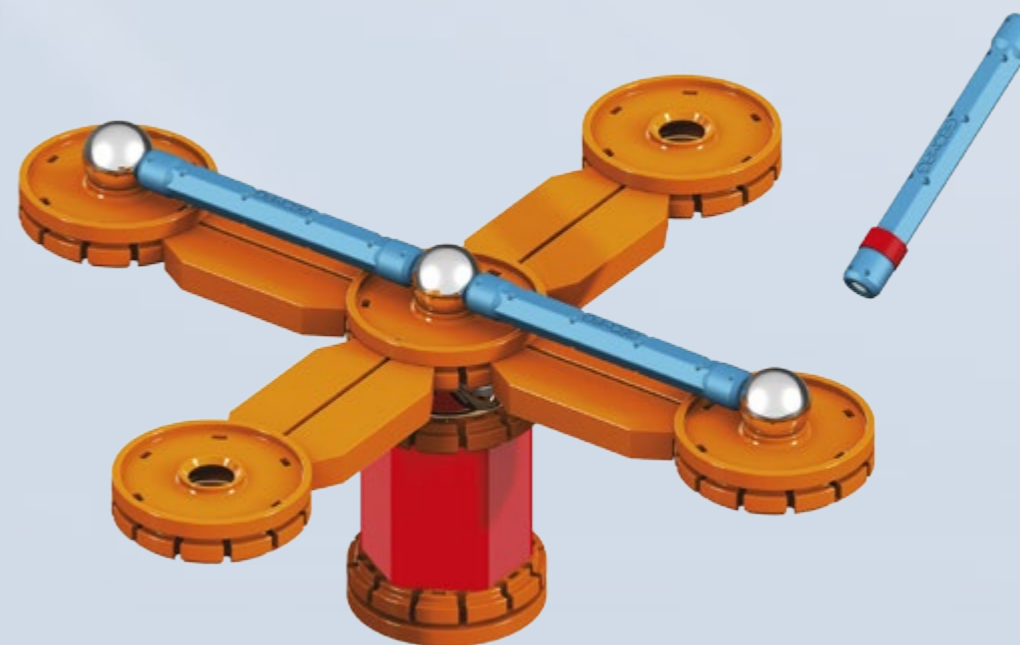
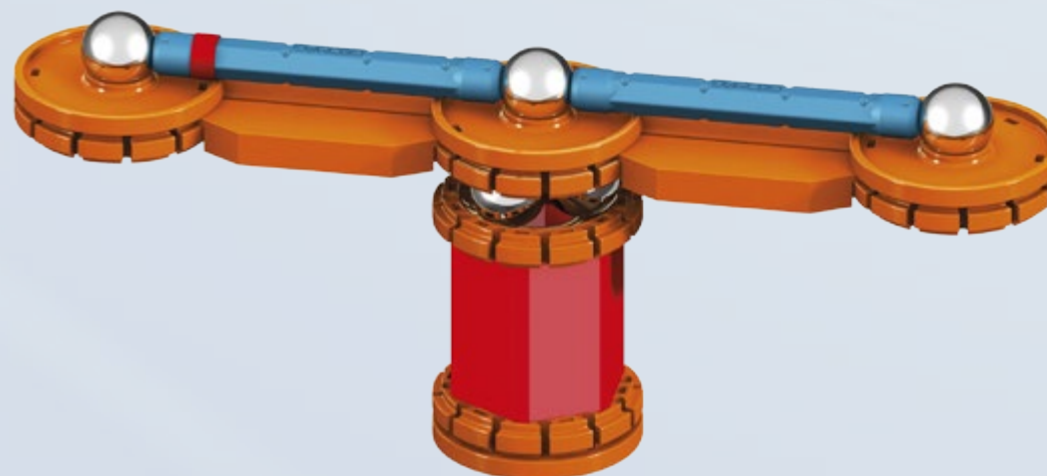
TECHNOLOGY



ENGINEERING

MATHEMATICS

GEOMAG MECHANICS  
MAGNETIC MOTION 35 PZ



REFERENCIA

00770

DESCRIPCIÓN

GEOMAG MECHANICS  
MAGNETIC MOTION 35 PZ

EAN

0871772007708

PACK

CAJA

STD

8

PILAS

NO

EDAD

+7

SCIENCE  
TECHNOLOGY



ENGINEERING  
MATHEMATICS

GEOMAG MECHANICS  
146 PZ



| REFERENCIA | DESCRIPCIÓN                | EAN            | PACK | STD | PILAS | EDAD |
|------------|----------------------------|----------------|------|-----|-------|------|
| 00722      | GEOMAG MECHANICS<br>146 PZ | 087177 2007227 | CAJA | 5   | NO    | +5   |

SCIENCE

TECHNOLOGY

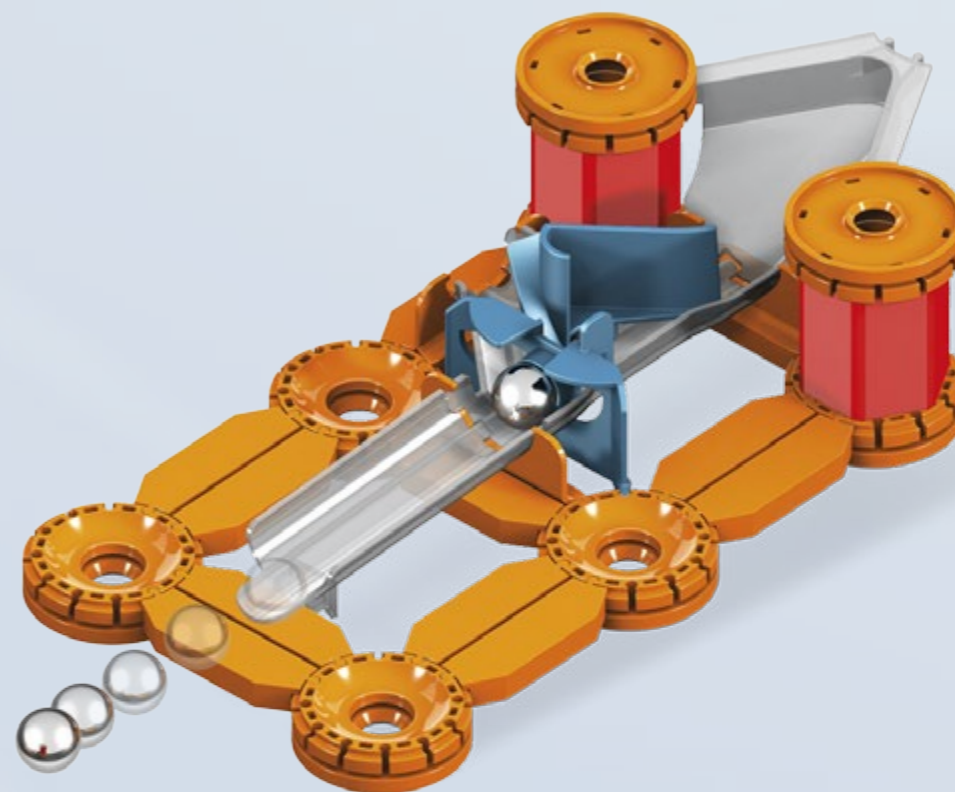


ENGINEERING

MATHEMATICS

MECHANICS CHALLENGE

95 PZ



REFERENCIA

00771

DESCRIPCIÓN

MECHANICS CHALLENGE  
95 PZ

EAN

0871772007715

PACK

CAJA

STD

7

PILAS

NO

EDAD

+7

SCIENCE

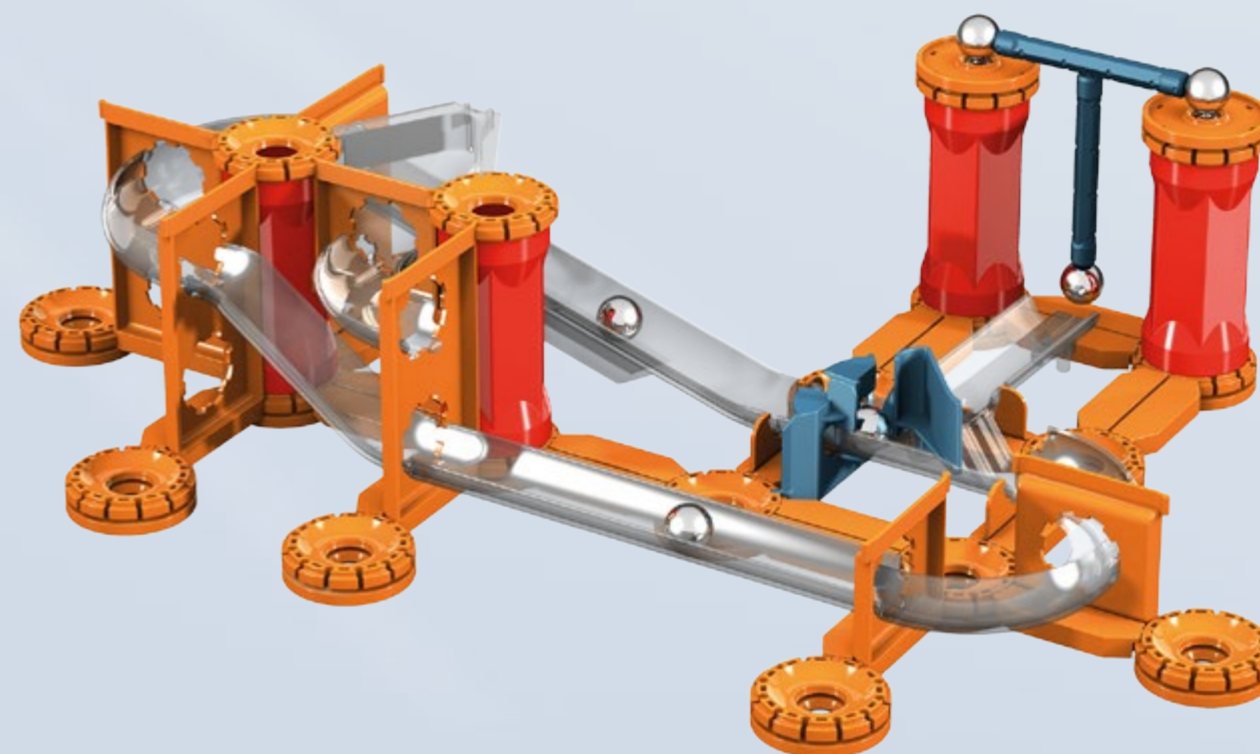
TECHNOLOGY



ENGINEERING

MATHEMATICS

# GEOMAG MECHANICS GRAVITY Race Track 115 PZ



REFERENCIA

00772

DESCRIPCIÓN

GEOMAG MECHANICS GRAVITY  
Race Track 115 PZ

EAN

0871772007722

PACK

CAJA

STD

3

PILAS

NO

EDAD

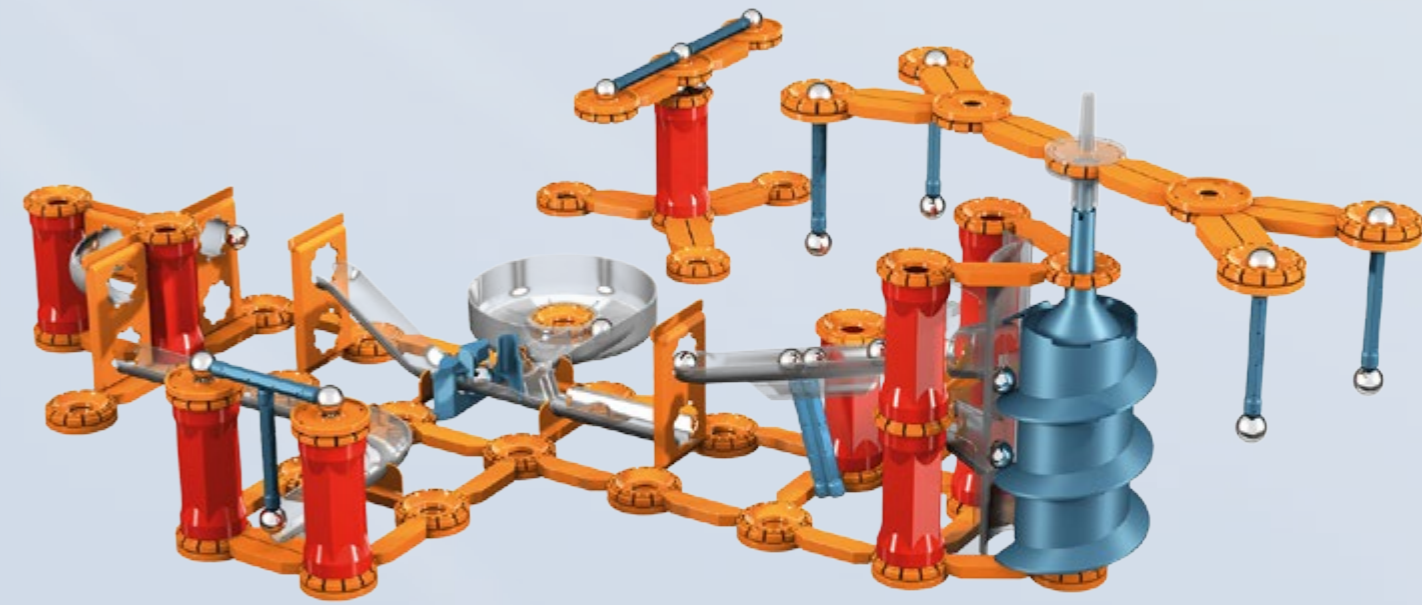
+7

GEOMAG MECHANICS GRAVITY  
Jump Run 243 PZ

SCIENCE  
TECHNOLOGY



ENGINEERING  
MATHEMATICS



| REFERENCIA | DESCRIPCIÓN                                 | EAN           | PACK | STD | PILAS | EDAD |
|------------|---|---------------|------|-----|-------|------|
| 00774      | GEOMAG MECHANICS GRAVITY<br>Jump Run 243 PZ | 0871772007746 | CAJA | 3   | NO    | +7   |